

All rights reserved by **CNH Industrial**.

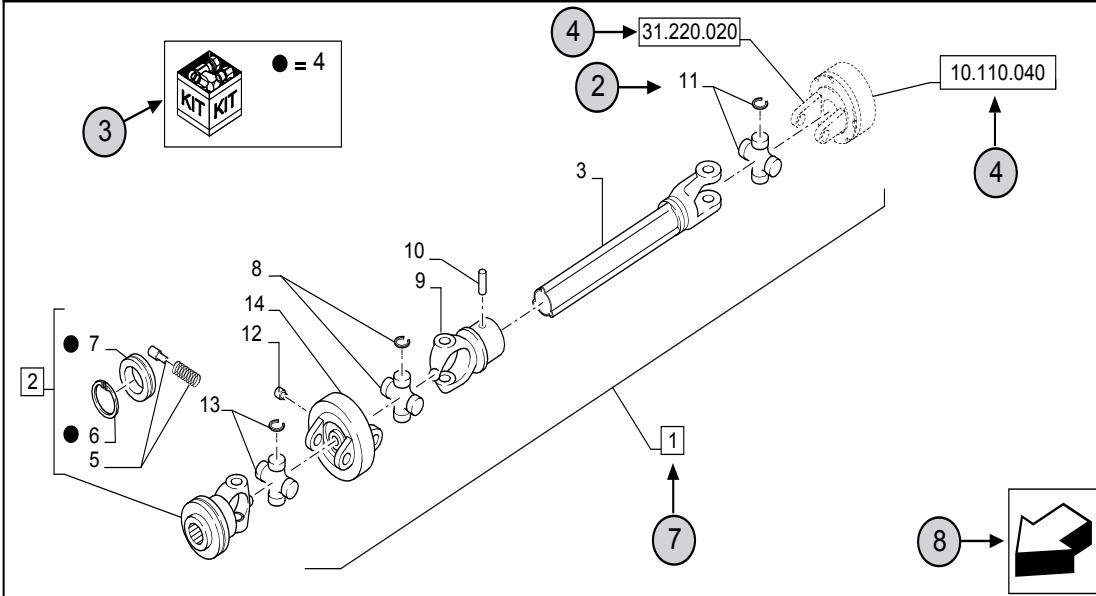
The information contained in this catalogue is intended to be of a general nature only. **CNH Industrial** may at any time and from time to time, for technical or other necessary reasons, modify any of the details or specifications of the product described in this catalogue.

To be sure of getting accurate, detailed and up-to-date information, an intending buyer should consult his nearest **CNH Industrial** dealer or distributor.

Single item numeration method used in this catalogue may not be used without written consent from **CNH Industrial**

31.220.010	01	p1	10/2014
------------	----	----	---------

VAR - 123782, 789101,987654 - PTO - D650



STANDARD ← (6)

(23)	(9)	(10)	31.220.010	01	p1	10/2014
------	-----	------	------------	----	----	---------

VAR - 123782, 789101,987654 - PTO - D650

(11) (12) (13) (14)

REF	FN	PART NUMBER	YR/SN	QTY	DESCRIPTION
1	1	86529340	(20)	1	SHAFT PTO, Incl 2 - 11
2	(15)	84014007		1	YOKE, Incl 4 - 7 ← (7)
3	(16)	NSS		1	NOT SERVICED SEPARATELY, SHAFT, 350mm, Incl in 1
4		84004292		1	KIT, Seal Kit, Incl 6, 7 (17)
4		{84058743}		1	KIT, Seal Kit, Incl 6, 7
(2)	(18)	(19)		(21)	(22)
		1 = FOR ITALY ONLY ← (5)			

MODELS ← (1)


- 1 Model Number and Model Description
- 2 Reference - Figure call-out of the part number.
- 3 Parts supplied in repair kits per symbol reference.
- 4 31.220.020 Part illustrated on the **Page** or in the **Figure** indicated, or calls for **Variations** or **Details**. Indicates components shown in detail elsewhere in the catalogue under the figure number shown.
- 5 Footnote references
- 6 Figure notes
- 7 1 2 Includes item(s) (See Description within partlist).
- 8 Orientation. (Arrow indicates front of the machine). 
- 9 Figure description.
- 10 General information of the figure.
- 11 Figure title number that aligns with the SRT. Standard Repair Time.
- 12 **Sequence** code within the assembly.
- 13 Page number within the sequence code.
- 14 **Date** of printing or updating of page (month-year).
- 15 **Note** - Relating to the Part Number. There is a key to symbols and abbreviations at the bottom of the text page.
- 16 Non-serviced parts.
- 17 Further description of the part to help confirm identification.
- 18 Not available as service part.
- 19 Part Number.
- 20 To be defined.
- 21 Total **Quantity** of the Part referred to in the page.
The quantity can be replaced by the following indications:
AR = quantity as requested.
- 22 Part **Description**.
- 23 Variant Codes

TABLE OF CONTENTS

05.100.01		INITIAL STOCKING LIST (LIST A)
05.100.02		INITIAL STOCKING LIST (LIST B)
05.100.03		FILTERS & CAPACITIES, TC26DA
05.100.03	01	FILTERS
05.100.03	01	FILTERS
05.100.03	01	FILTERS & CAPACITIES, TC23DA
05.100.03	02	CAPACITIES
20.01		INITIAL STOCKING LIST (ISL)
01.02		CYLINDER BLOCK
01.03		CAMSHAFT & OIL PUMP
01.06		CYLINDER HEAD, ROCKER ARM, HEAD COVER & INTAKE MANIFOLD
01.07		CRANKSHAFT & PISTON
01.09		TIMING GEAR CASE
01.11		WATER PUMP & FAN
01.12		ALTERNATOR
01.13		STARTING MOTOR
01.14		INJECTION PUMP & LINES
01.14.01		INJECTION PUMP ASSEMBLY
01.14.02		FUEL INJECTOR ASSY.
01.16		THROTTLE CONTROLS - HAND & FOOT
02.01		MUFFLER
02.02		RADIATOR & HOOD LATCH
02.03		FUEL TANK & RELATED PARTS
02.04		AIR CLEANER
03.01		CLUTCH & CLUTCH CASE W/9 X 3
03.03		CLUTCH & CLUTCH CASE, W/HST
03.04		CLUTCH & CLUTCH CASE - W/HST
03.05		REAR TRANSMISSION CASE & SHIFTER - W/9 X 3
03.06		REAR TRANSMISSION CASE & SHIFTER - W/HST
03.07		REAR TRANSMISSION GEARS - W/9 X 3
03.08		REAR TRANSMISSION GEARS - W/HST
03.09		PTO GEARS
03.10		MID PTO GEARS, W/HST
03.11		MID PTO KIT W/9 X 3 - 718801076
03.12		HYDROSTATIC TRANSMISSION CONTROLS
03.12.01		HYDROSTATIC TRANSMISSION

TABLE OF CONTENTS

03.12.02	HYDROSTATIC TRANSMISSION CONTROLS - CRUISE CONTROL
03.13	GEARSHIFT LEVERS
03.14	BRAKE CONTROLS & PEDALS
04.01	FRONT AXLE W/POWER STEERING
04.02	DIFFERENTIAL GEARS
04.03	STEERING COLUMN, GEARBOX & PIPING, W/POWER STEERING
04.04	POWER STEERING BOX
04.07	POWER STEERING CYLINDER
04.08	POWER STEERING CYLINDER
05.01	BRAKE & WHEEL SHAFT CASE
05.02	DIFFERENTIAL & LOCK LINKAGE W/9 X 3
05.03	DIFFERENTIAL & LOCK LINKAGE WHST
06.01	WIRING HARNESS
06.01.01	ELECTRICAL COMPONENTS, STEERING COLUMN
06.02	INSTRUMENT PANEL
06.03	BATTERY
06.04	DASHBOARD
06.05	WORKLIGHTS - FENDER MOUNTED
06.06	WORKLIGHT KIT - ROPS MOUNTED
07.01	HYDRAULIC LIFT COVER & ARMS
07.02	CONTROL VALVE, QUADRANT & LINKAGE
07.03	HST PIPING & OIL COOLER
07.04	SELF CENTERING REAR REMOTE CONTROL VALVE - 710366156
07.04.01	REMOTE CONTROL VALVE ASSEMBLY
07.05	HYDRAULIC PUMP & PIPING
07.05.01	HYDRAULIC PUMP
07.06	HPL CONTROL VALVE ASSEMBLY
07.07	2-SPOOL REMOTE CONTROL VALVE & PIPING, WITH LOADER - 715429026
07.07.01	JOYSTICK CONTROLS
07.07.02	TWO-SPOOL REMOTE CONTROL VALVE ASSEMBLY
07.09	MID-MOUNT HYDRAULIC CONTROL VALVE KIT
07.09.01	JOYSTICK CONTROL
07.09.02	MID-MOUNT HYDRAULIC CONTROL VALVE
07.10	2-SPOOL VALVE MOUNT, NON- LOADER 710330036
07.11	MANIFOLD DIVERTOR BLOCK
08.01	FENDERS & RELATED PARTS

TABLE OF CONTENTS

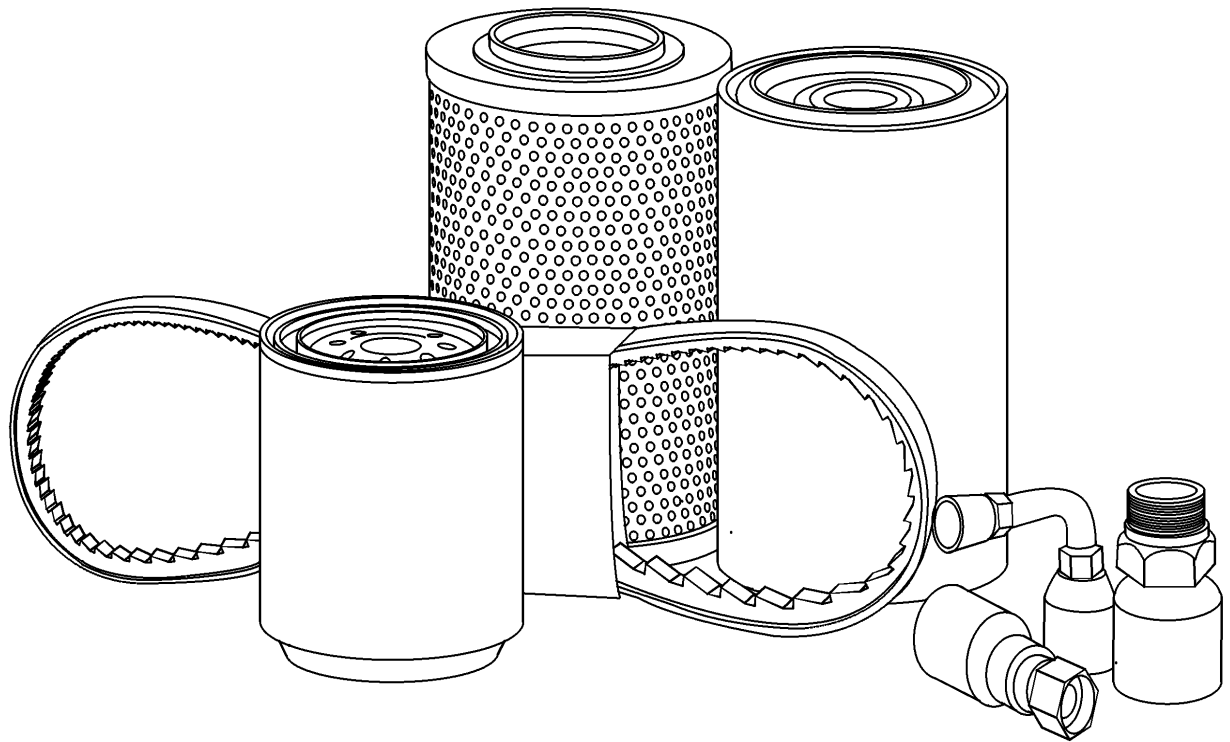
08.02	HOOD
08.03	GRILLE GUARD KIT - 719849066
08.04	DECALS
08.05	DECALS, IDENTIFICATION
08.06	DECALS
08.07	KIT, FRENCH DECAL - 87573708
09.01	THREE POINT LINKAGE
09.04	DRAWBAR KITS
10.01	SEAT, ARMREST KIT- 718852026 & TOOL BOX
10.02	SEAT BRACKET
10.03	STEPS & FLOOR MATS
10.04	ROLL BAR & RELATED PARTS
10.05	SOFT CAB-710660106 & FOPS/CANOPY FOR ROLL BAR-718857006
11.01	FRONT & REAR WHEELS
11.01.01	FRONT & REAR WHEELS - AUSTRALIA
11.02	FRONT END WEIGHTS - 710215016
11.03	REAR WHEEL WEIGHTS - 719471016
11.04	FRONT END WEIGHT CARRIER - 718233066

SECTION INDEX

GENERAL

05.100.01		INITIAL STOCKING LIST (LIST A)
05.100.02		INITIAL STOCKING LIST (LIST B)
05.100.03		FILTERS & CAPACITIES, TC26DA
05.100.03	01	FILTERS
05.100.03	01	FILTERS
05.100.03	01	FILTERS & CAPACITIES, TC23DA
05.100.03	02	CAPACITIES
20.01		INITIAL STOCKING LIST (ISL)

INITIAL STOCKING LIST (LIST A)



05.100.01

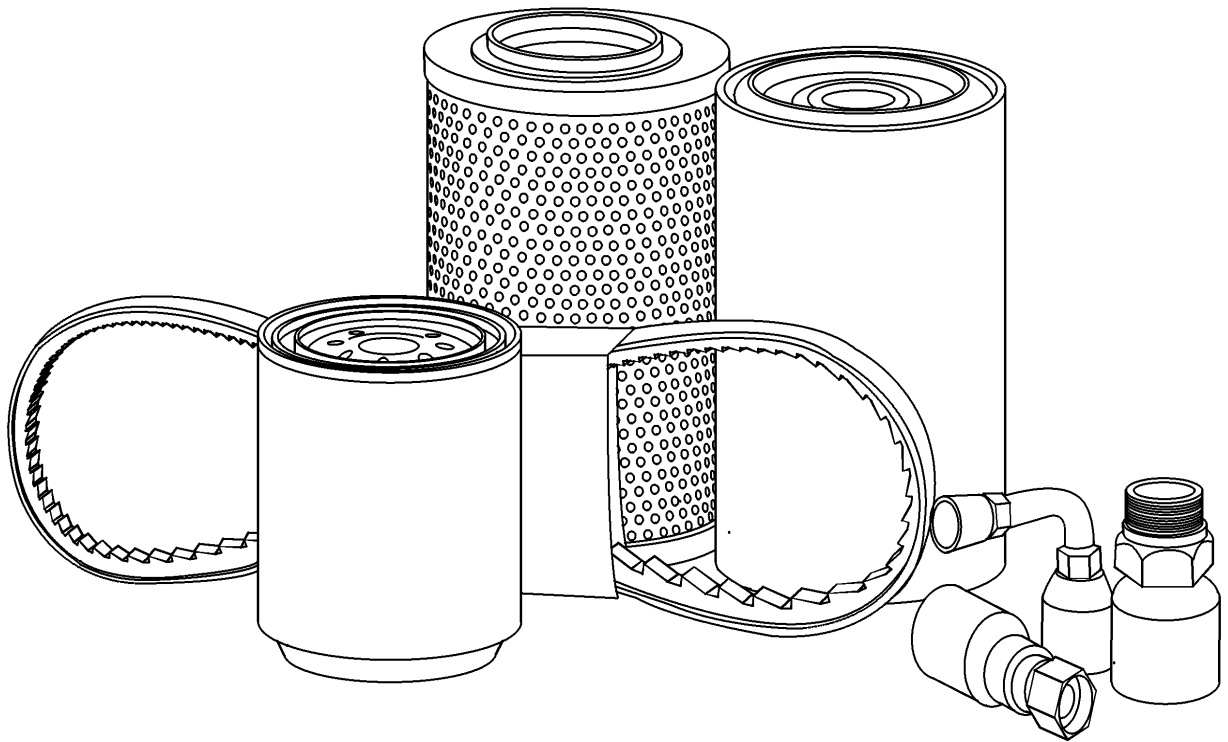
p1

12/201
7**INITIAL STOCKING LIST (LIST A)**

REF FN	PART NUMBER	YR/SN	QTY DESCRIPTION
.	87415600		1 ENGINE OIL FILTER Spin-On
.	87300039		1 FUEL FILTER Fuel Filter
.	SBA314531174		1 AIR FILTER Outer
.	SBA314531175		1 AIR FILTER Inner
.	SBA340501030		1 FILTER Hyd W/Bypass
.	}		USED ON & ABOVE PIN HG20364 TC26DA
.	87300043		1 HYDRAULIC OIL FILTER Spin-On (Pump)
.	SBA385230300		1 RELAY Safety
.	SBA080109049		1 BELT Fan

TC23DA-3 CYL COMPACT TRACTOR TC26DA-3 CYL COMPACT TRACTOR

INITIAL STOCKING LIST (LIST B)

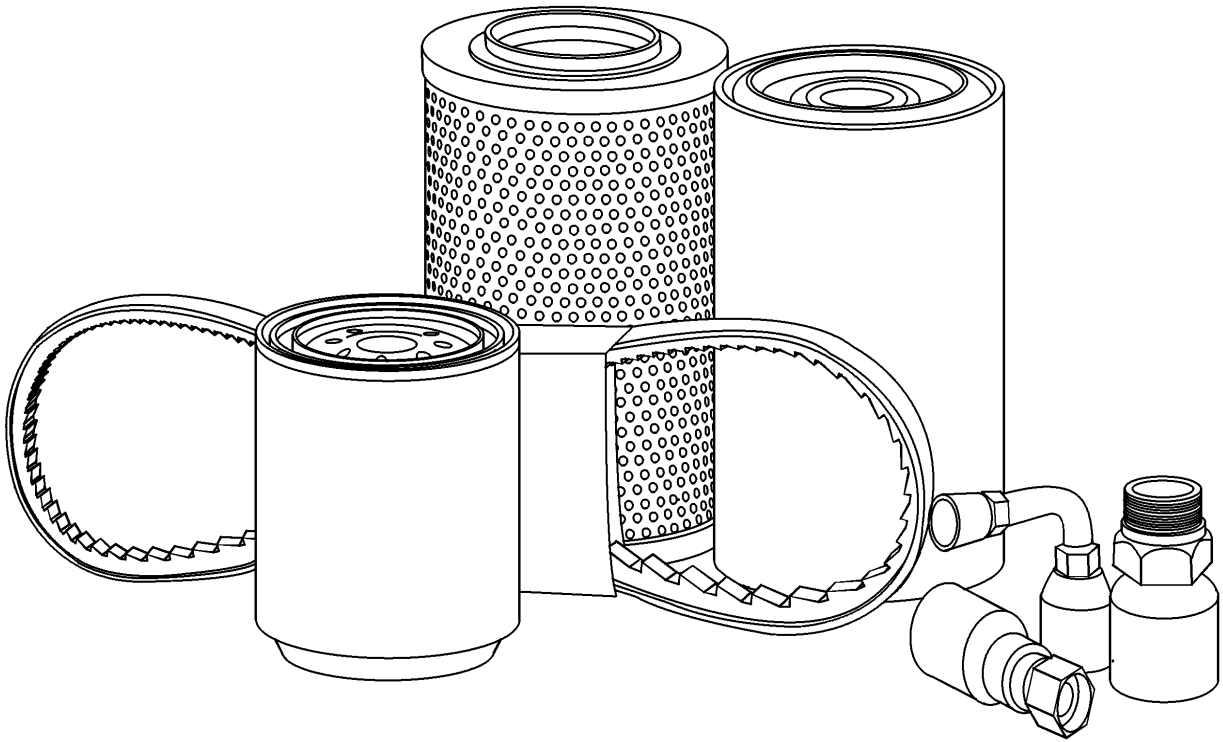


INITIAL STOCKING LIST (LIST B)

REF FN	PART NUMBER	YR/SN	QTY DESCRIPTION
.	SBA385230300		1 RELAY Safety
.	SBA385202601		1 IGNITION SWITCH
.	SBA385210370		1 IGNITION KEY Branded
.	SBA385200730		1 SWITCH Range Gear Safety, TC23DA
.	SBA385200730		1 SWITCH Range Gear Safety
.	SBA385201260		1 SWITCH Safety PTO
.	SBA385201260		1 SWITCH Brake Light
.	SBA312700750		1 CABLE Hand Throttle
.	SBA310110230		1 CAP COVER Radiator, Cap
.	86532881		1 CAP Fuel
.	SBA185366220		1 GLOW PLUG
.	SBA385871260		1 CONTROL UNIT GLOW PLUG TIMER
.	SBA385871261		1 ECU Safety
.	∅		USED ON & ABOVE PIN Z7NUE1001-TC23DA 9X3, Z7NUF1001-TC23DA HST, Z7NUG1007-TC26DA HST
.	139119A1		2 BULB #886, 12V, 50W Upper Hood
.	137823A1		2 BULB #9004, 65W/50W Lower Hood
.	SBA398210290		1 SPRING Brake

TC23DA-3 CYL COMPACT TRACTOR TC26DA-3 CYL COMPACT TRACTOR

FILTERS & CAPACITIES, TC26DA

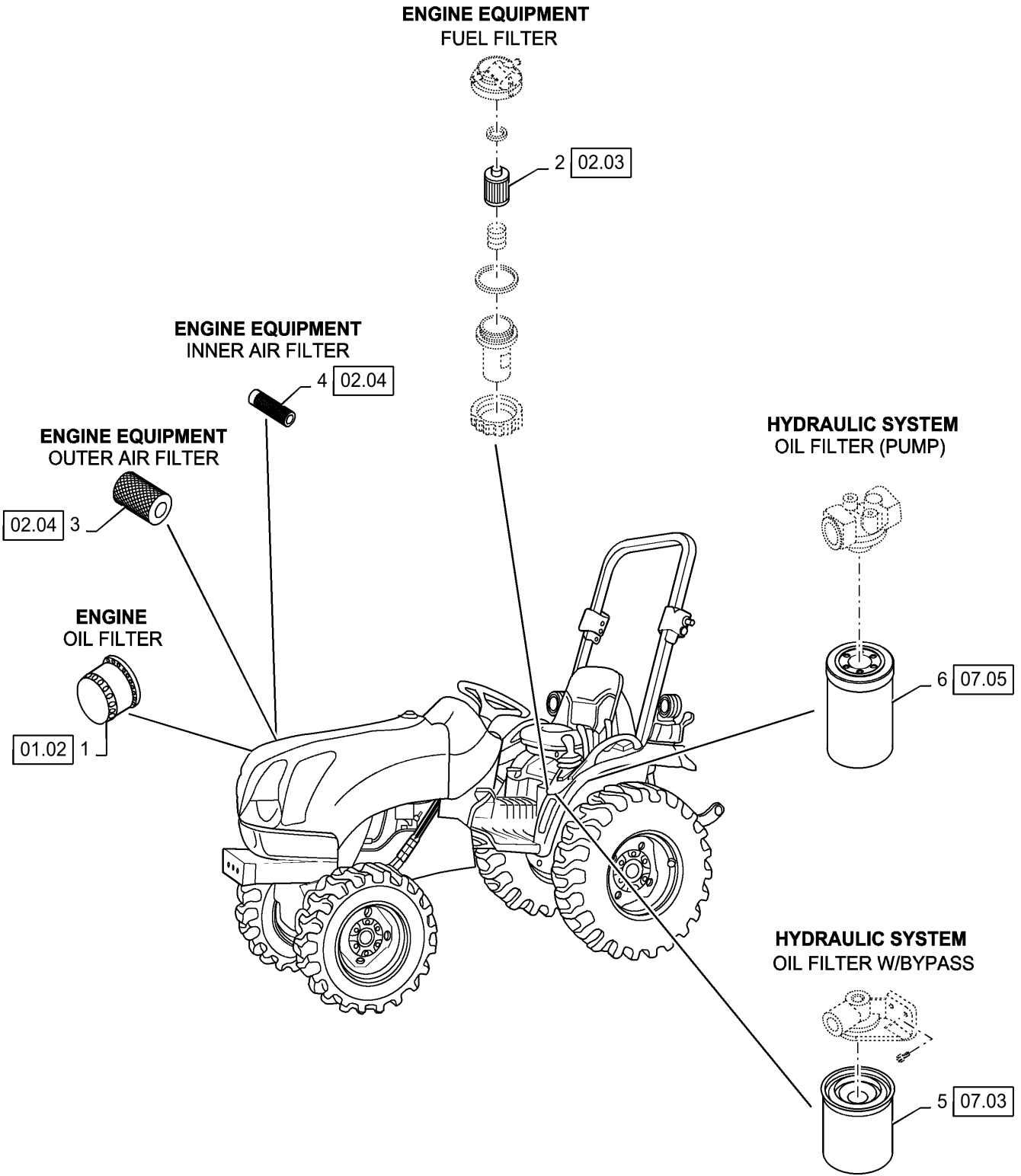


FILTERS & CAPACITIES, TC26DA

REF FN	PART NUMBER	YR/SN	QTY DESCRIPTION
*	CNH XHD COOLANT		ANTIFREEZE Coolant, 3.7-QT (3.5L)
1	84475542		1 ENGINE OIL FILTER
*	M-GOLD SAE10W30		OIL Engine Crankcase, W/Filter, 3.5-QT (3.3L)
*	M-GOLD SAE10W30		OIL Engine Crankcase, W/O Filter, 3.2-QT (3L)
2	{SBASBA314531174}		1 Air Filter
3	{SBASBA314531175}		1 Air Filter
4	87300043		1 HYDRAULIC OIL FILTER Spin On
5	SBA340501030		1 FILTER Hydrostat
*	MULTI G 134		OIL Hydraulic, Rear Axle & Transmission, 4.23-Gal (16L)
6	SBA360720130		1 ELEMENT Fuel, Cartridge
*	MULTI G 134		OIL Front Axle, Hubs and Differential Each-FWD Only, Differential, 1.06-QT (1L)
*	MULTI G 134		OIL Front Axle, Hubs and Differential Each-FWD Only, Final Reduction Per Side, 0.85-QT (0.8L)
*	MULTI G 134		OIL Front Axle, Hubs and Differential Each-FWD Only, Hubs, 29-OZ (0.86L)

TC26DA-3 CYL COMPACT TRACTOR

FILTERS



05.100.03

01

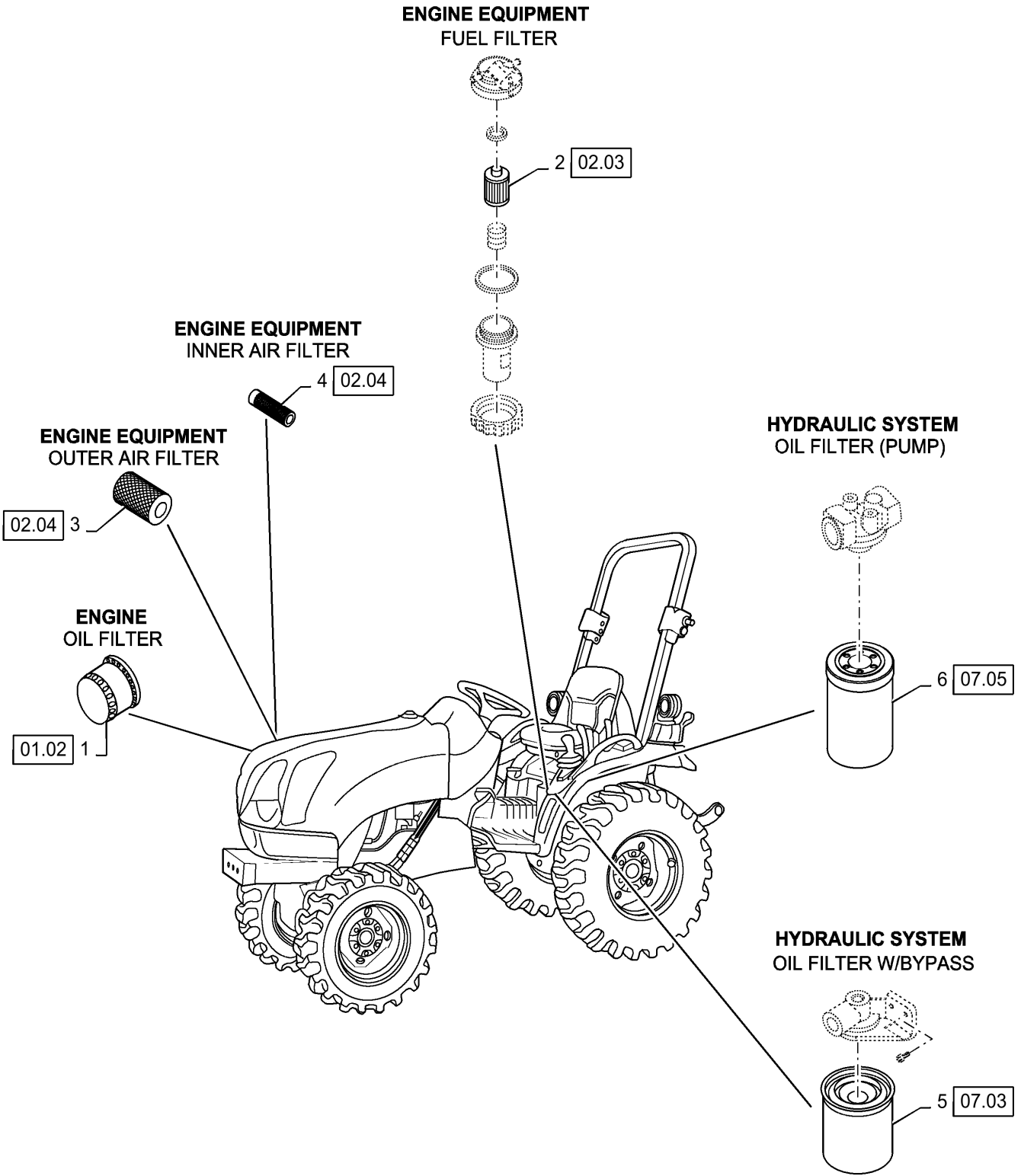
p1

12/201
7**FILTERS**

REF FN	PART NUMBER	YR/SN	QTY DESCRIPTION
1	87415600		1 ENGINE OIL FILTER
2	87300039		1 FUEL FILTER Fuel Filter
3	SBA314531174		1 AIR FILTER Outer
4	SBA314531175		1 AIR FILTER Inner
5	SBA340501030		1 FILTER Hyd W/Bypass
6	87300043		1 HYDRAULIC OIL FILTER Spin-On (Pump)

TC23DA-3 CYL COMPACT TRACTOR

FILTERS



05.100.03

01

p1

12/201
7**FILTERS**

REF FN	PART NUMBER	YR/SN	QTY DESCRIPTION
1	87415600		1 ENGINE OIL FILTER
2	87300039		1 FUEL FILTER Fuel Filter
3	SBA314531174		1 AIR FILTER Outer
4	SBA314531175		1 AIR FILTER Inner
5	SBA340501030		1 FILTER Hyd W/Bypass
6	87300043		1 HYDRAULIC OIL FILTER Spin-On (Pump)

TC26DA-3 CYL COMPACT TRACTOR

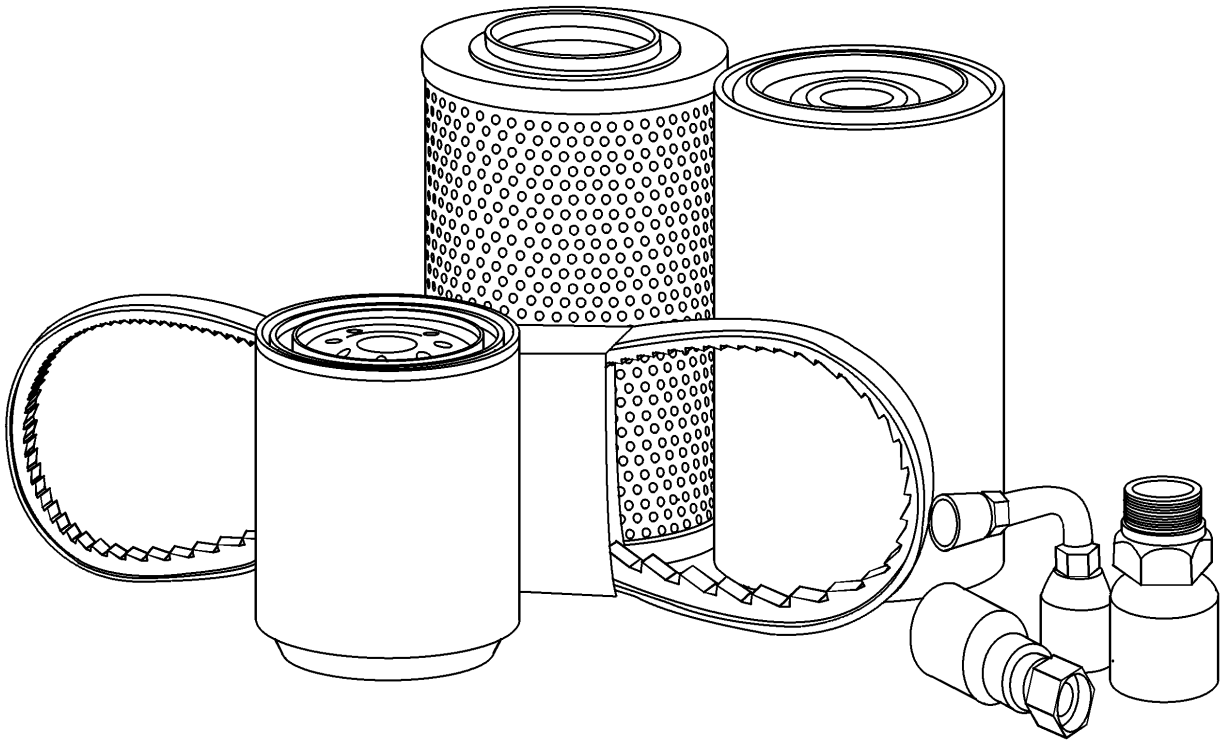
05.100.03

01

p1

12/201
7

FILTERS & CAPACITIES, TC23DA



**Thanks very much for your reading,
Want to get more information,
Please click here, Then get the complete
manual**

JustClickHere 

NOTE:

**If there is no response to click on the link above,
please download the PDF document first, and then
click on it.**

**Have any questions please write to me:
admin@servicemanualperfect.com**